

4

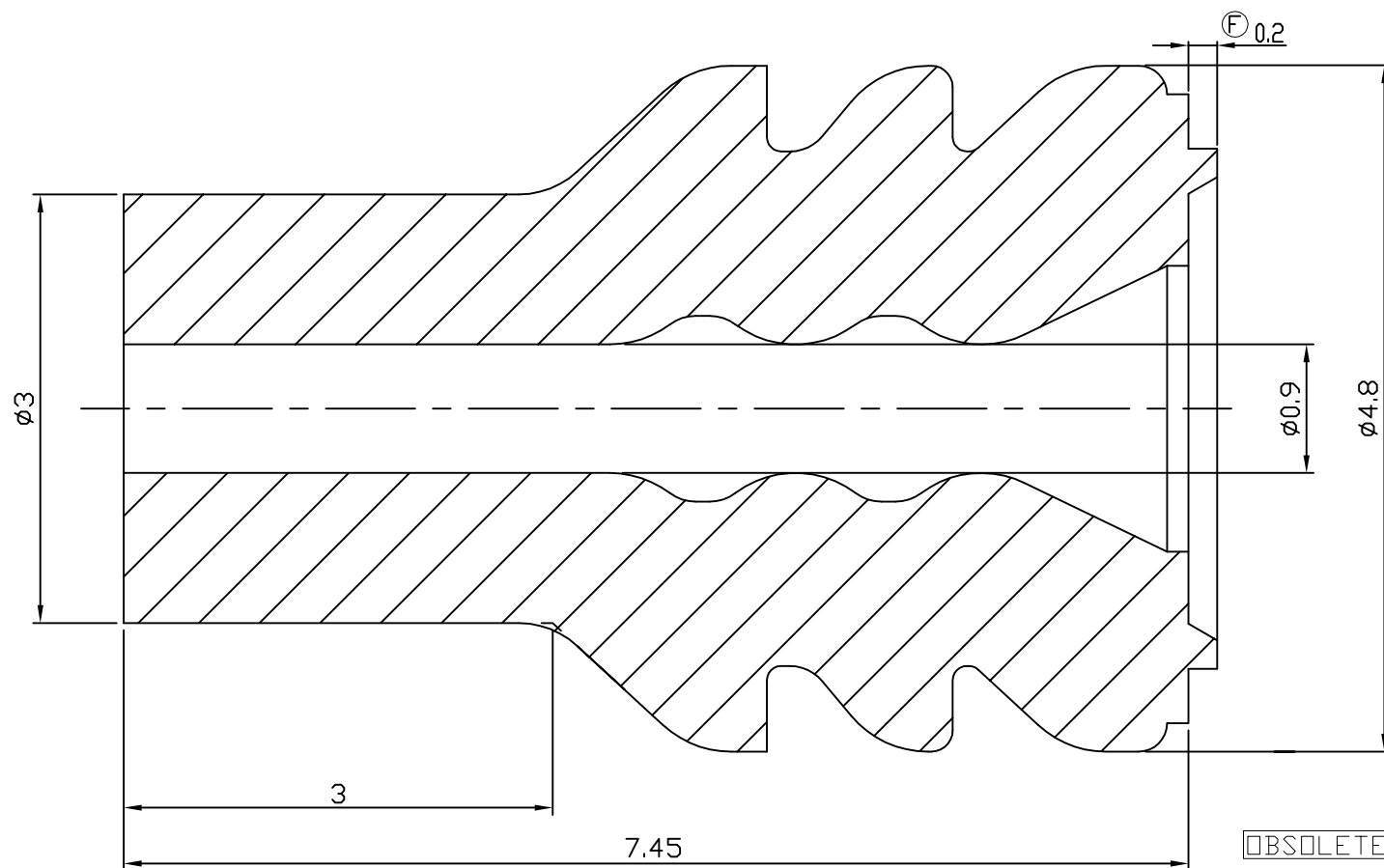
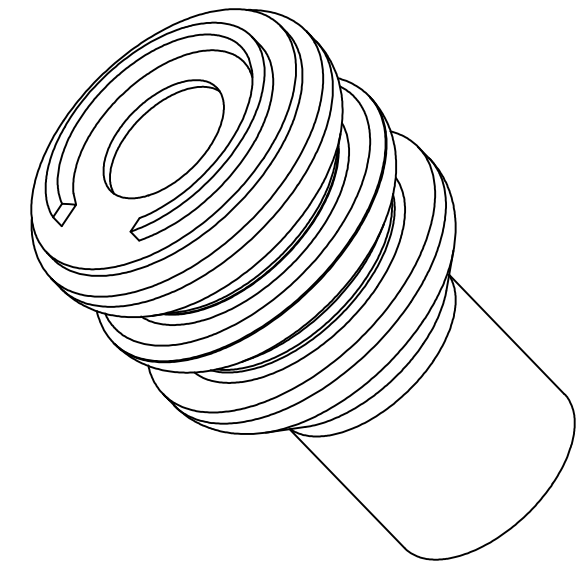
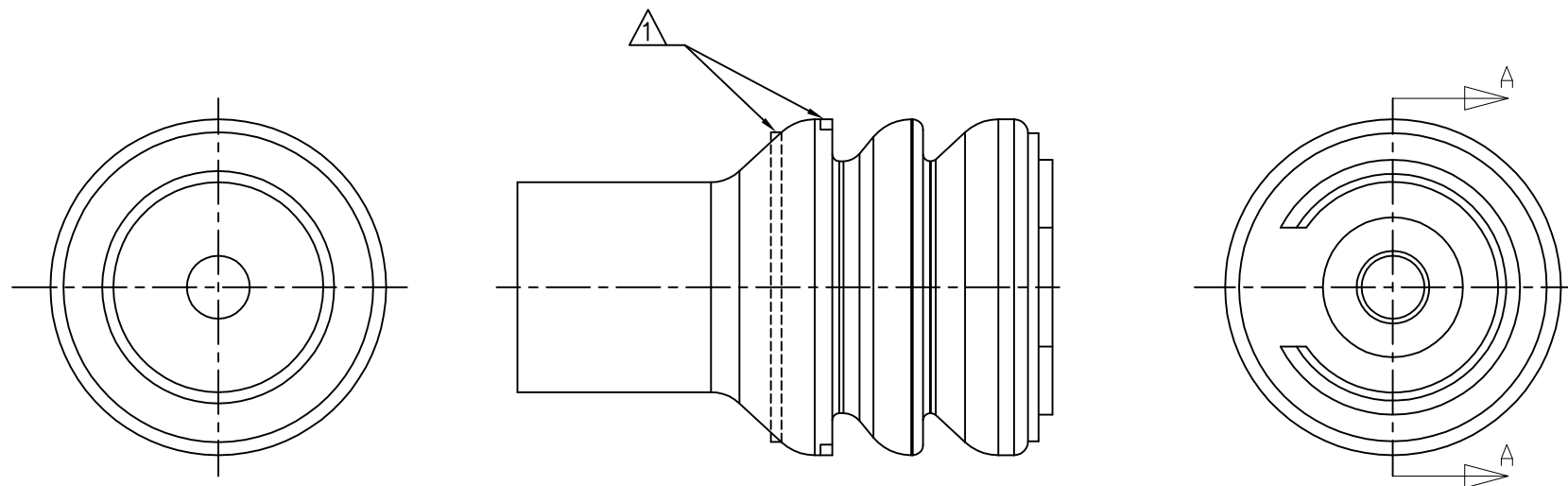
3

2

1

THIS DRAWING IS UNPUBLISHED. RELEASED FOR PUBLICATION
COPYRIGHT BY TYCO ELECTRONICS CORPORATION, ALL RIGHTS RESERVED.

LOC	DIST	REVISIONS					
		P	LTR	DESCRIPTION	DATE	DWN	APVD
DS	-		G	REVISED (ECR-12-010127)	02.JAN.'13	JM	HG
			G1	REVISED (ECR-13-002286)	13.FEB.'13	JM	HG



NOTES;

1 ACCEPTABLE OPTION FIGURE BY MANUFACTURING PROCSS BUT MUST BE NO PROBLEM IN FUNCTION.

BLUE	SILICONE	WIRE SEAL FOR EJ MK-II(+)	368889-1	50° ± 5°
BLUE	SILICONE(LSR)	WIRE SEAL FOR EJ MK-II(+)	1-368889-1	50° ± 5°
COLOR	MATERIAL	DESCRIPTION	P/N	HARDNESS

SECTION A-A
(SCALE 20:1)

DIMENSIONS: MM		TOLERANCES UNLESS OTHERWISE SPECIFIED:	
		0 <XX<10	± 0.2
		10 <XX<30	± 0.25
		30 <XX	± 0.3
		ANGLES	± 3°
MATERIAL		FINISH	
SEE TABLE			

DWN JM JEON				
CHK JW JUNG				
APVD HG CHD	NAME WIRE SEAL FOR EJ MK-II(+) CONN'R (INSULATION DIA: Ø1.2-1.7mm)			
PRODUCT SPEC -	SIZE A3	CAGE CODE 00779	DRAWING NO C-368889	RESTRICTED TO -
APPLICATION SPEC -	CUSTOMER DRAWING			SCALE 10/1
WEIGHT -	SHEET 1 OF 1			REV G1